

### Features

- Dual Current / Voltage Outputs for Temperature & Air Velocity
- Current (4 to 20mA) or Voltage (0 to 10V) Output
- Optional RS-485 Serial Port (MODBUS RTU Protocol)
- Selectable Units : m/s, ft/s, km/h, mph, knot
- Selectable Measuring Range : 2 m/s, 10 m/s, 20 m/s, 40 m/s
- Zero Offset Facility
- PC Software for Data Logging Recording and Chart Analysis

### Applications

Monitoring Gas & Flow for Industrial Processes, HVAC, Building, Factory, Clean Room, Hospital  
Semiconductor, Electronics, Paper, Environment, Food, Pharmaceutical, Biotechnology Industry



### Specifications

Measuring Range	
Air Velocity	DIP Switch Selectable Ranges : 2 m/s, 10 m/s, 20 m/s, 40 m/s
Temperature	0 to 50°C
Output	
Signal Type for Air Velocity	4 to 20 mA (500Ω Max) <b>OR</b> 0 to 10V (10KΩ Min)
Signal Type for Temperature	4 to 20 mA (500Ω Max) <b>OR</b> 0 to 10V (10KΩ Min)
Signal Connection	3-Wire
Accuracy	Air Velocity : ± 3% F.S., Temperature : ± 0.3°C
Response Time (90%)	< 3 Second
Angular Dependence	3% of Measuring Value (When the Angle < 10°)
Display (Optional)	LCD Module with Back Light, 5.56mm Character Height
Electrical	
Power Supply	8 to 35 VDC / 12 to 30 VAC
Current Consumption	300 mA @ 8 VDC    100 mA @ 24 VDC 350 mA @ 12 VAC    180 mA @ 24 VAC
Over Voltage Protection	DC : < 45V    AC : < 40V
Electrical Connection	Screw Type Terminal (Standard) / M12 Connector (Optional)
Installation	
Mounting	<b>FTS34</b> : Duct <b>FTS35</b> : Remote
Fixing	Flange
Protection	
Protection Degree	IP 54
Electrical Protection	Reverse Polarity, Over-Voltage & Short-Circuit

## Certification

Certification CE

## Material

Housing / Probe PC Fire-Proof (UL94V-2) / PC Fire-Proof

Measuring Head SUS

Cable PVC (FTS35)

Weight FTS34 : 147g / FTS35 : 200g

## Environment

Measurement Media Air

Measured Medium Temperature 0 to 50°C

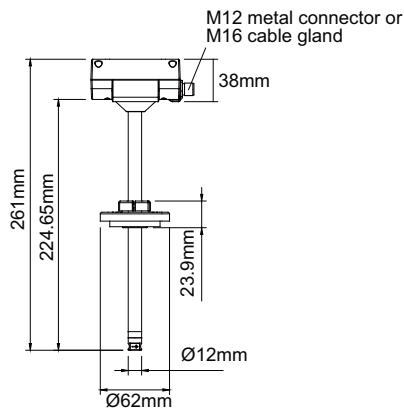
Working Temperature 0 to 50°C

Environment Humidity 95% RH (non-cond.)

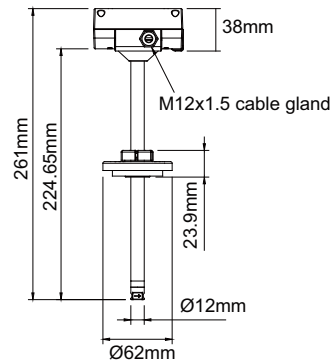
Storage Temperature -20 to 60°C

## Dimension

### FTS34 (Duct)

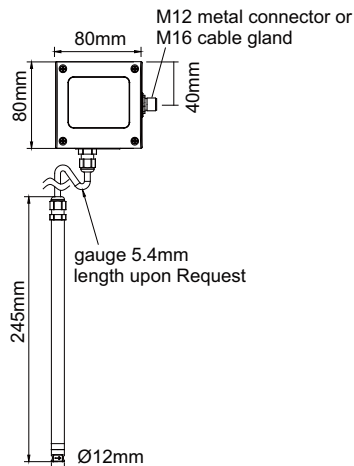


**N Type (M16) or M Type (M12, 5P) : RS-485+Analog**  
**M Type (M12, 4P) : RS-485 or Analog**

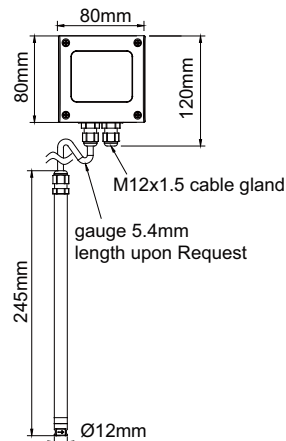


**N Type : RS-485 or Analog**

### FTS35 (Remote)



**N Type (M16) or M Type (M12, 5P) : RS-485+Analog**  
**M Type (M12, 4P) : RS-485 or Analog**



**N Type : RS-485 or Analog**