

Features

- Dual Current / Voltage Outputs for Temperature & Air Velocity
- Optional RS-485 Serial Port (MODBUS RTU Protocol)
- Air Velocity Ranges : 1 m/s, 2 m/s, 5 m/s, 10 m/s, 20 m/s, 40 m/s, 60 m/s
- Temperature Range : 0 to 100°C
- Selectable Units : m/s, ft/s, km/h, mph, knot
- Zero Offset Facility
- PC Software for Data Logging Recording and Chart Analysis



FTS85 (Remote)



Applications

Monitoring Gas & Flow for Industrial Processes, HVAC, Building, Factory, Clean Room, Hospital Semiconductor, Electronics, Paper, Environment, Food, Pharmaceutical, Biotechnology Industry



FTS84 (Duct)

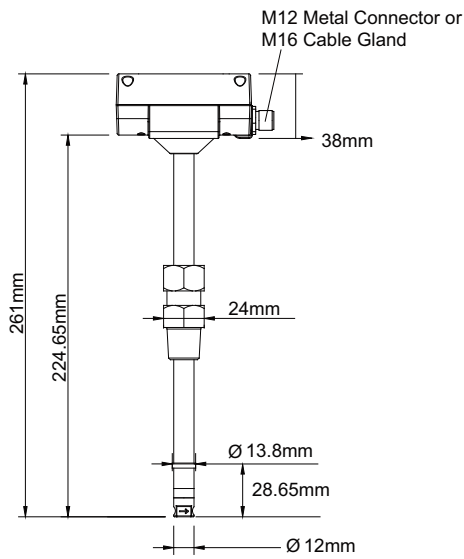
Specifications

| Measuring Range | |
|-----------------------------------|---|
| Air Velocity | 1 m/s, 2 m/s, 5 m/s, 10 m/s, 20 m/s, 40 m/s, 60 m/s |
| Temperature | 0 to 100°C |
| Outputs | |
| Signal Type for Air Velocity | 0 to 20 mA / 4 to 20 mA / 0 to 1 VDC / 0 to 5 VDC / 0 to 10 VDC |
| Signal Type for Temperature | 0 to 20 mA / 4 to 20 mA / 0 to 1 VDC / 0 to 5 VDC / 0 to 10 VDC |
| Signal Connection | 3-Wire |
| Accuracy | Air Velocity : ± 3% F.S., Temperature : ± 0.3°C |
| Load Resistance (Currents Output) | 500Ω Max |
| Load Resistance (Voltage Output) | 10KΩ Min |
| Response Time (90%) | < 3 Second |
| Angular Dependence | 3% of Measuring Value (When the Angle < 10°) |
| Display (Optional) | 2 Rows LCD Module with Back Light, 5.56mm Character Height Upper Rows : Air Velocity, Lower Rows Temperature |

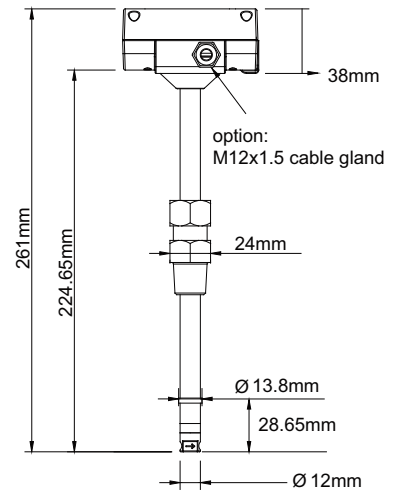
| Electrical | |
|-----------------------------|---|
| Power Supply | 8 to 35 VDC / 12 to 30 VAC |
| Current Consumption | 300 mA @ 8 VDC 100 mA @ 24 VDC 350 mA @ 12 VAC 180 mA @ 24 VAC |
| Over Voltage Protection | DC : < 45V AC : < 40V |
| Electrical Connection | M12 Connector |
| Installation | |
| Mounting | FTS84 : Duct FTS85 : Remote |
| Fixing | ½ PT Outside Thread |
| Protection | |
| Protection Degree | IP 65 |
| Electrical Protection | Reverse Polarity, Over-Voltage & Short-Circuit |
| Certification | |
| Certification | CE |
| Material | |
| Case | PC Fire-Proof Class (UL94V-2) |
| Probe | SUS304 |
| Filter | POM |
| Cable | PTFE (FTS85) |
| Option | SUS Fitting Thread / SUS Flange Type |
| Weight | FTS84 : 380g 404; (Display) / FTS85 : 391g; 415 (Display) |
| Environment | |
| Measurement Media | Air |
| Measured Medium Temperature | 0 to 100°C |
| Environment Humidity | 95% RH (non-cond.) |
| Storage Temperature | -20 to 60°C |
| Proof Pressure | 10 Bar |

Dimension

FTS84 (Duct)

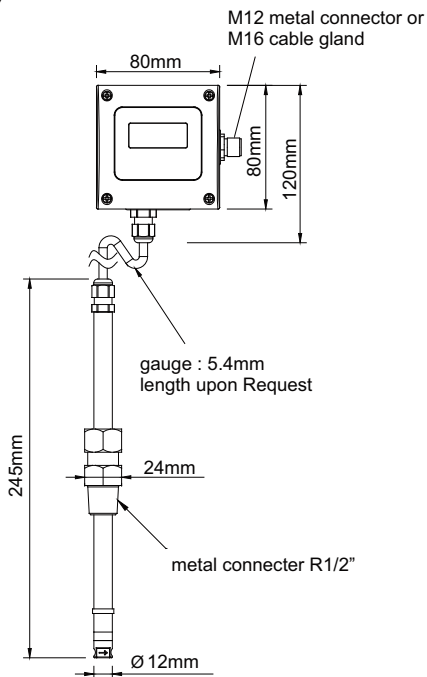


N Type (M16) or Q Type (M12, 8P) : RS-485+Analog
M Type (M12, 4P) : RS-485 or Analog

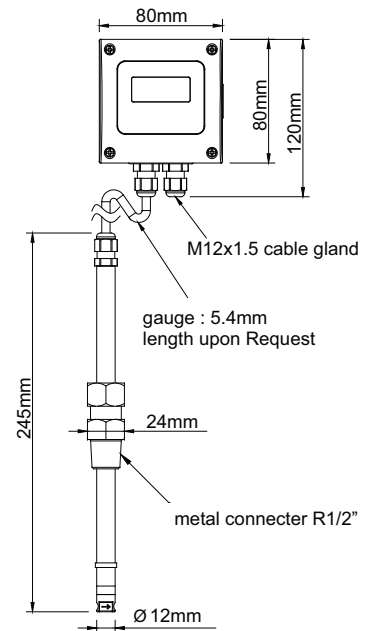


N Type : RS-485 or Analog

FTS85 (Remote)



N Type (M16) or Q Type (M12, 8P) : RS-485+Analog
M Type (M12, 4P) : RS-485 or Analog



N Type : RS-485 or Analog