

**Licence - Free
Data Logging
Software**



RS485 to USB Converter



**UniRec Z
Data Recorder**



**zenex
Temperature Controller**

RS485

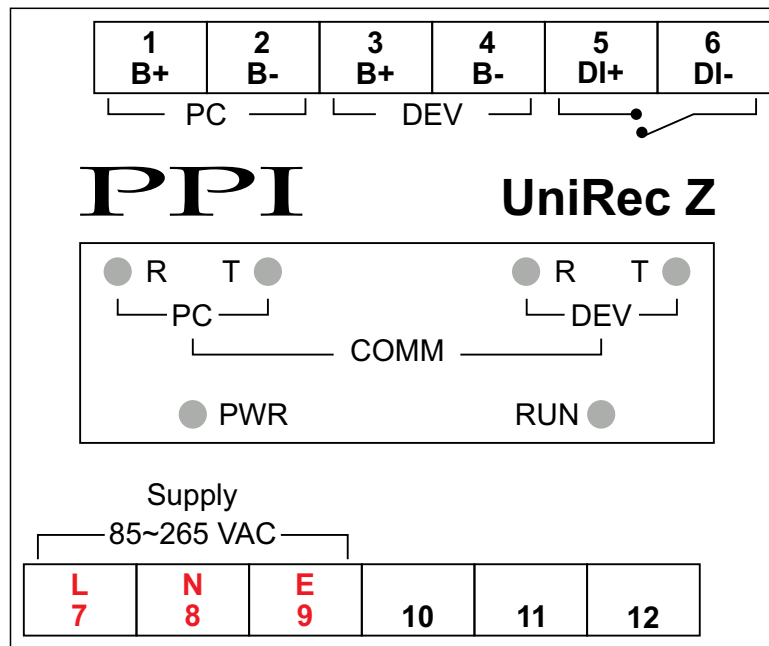
Features

- Fetches & Records PV Data from PPI's most Widely used Universal Temperature Controller zeneX
- Periodic (User settable interval) Recording of PV and Alarm Status
- Huge Data Storage Capacity (2 GB Memory, Approx. 38,56,000 Records)
- DIN Standard Dimensions : 70(H) X 60(W) X 110(D), mm
- Accompanied with Windows Based PC Software for Record Transfer & Analysis with following Salient Features
 - ✓ Online Data Display in Tabular & Graphical Forms with Alarm Indications
 - ✓ Automatic Periodic Record Fetching from UniRec Z
 - ✓ Manual & Auto Back-up Facility with Archiving
 - ✓ Data Log Report, Alarm Log Report & History Graph in PDF & Excel Formats

Specifications

Recording	
Recording Capacity	2 GB Flash Memory (Approx. 38,56,000 Records)
Recording Mode	Continuous, Batch
Recording Interval (User Settable)	Minimum : 1 Sec Maximum : 9000 Sec
Device Interface	
Serial Port	RS485, 2-wire, Half Duplex, Start-Stop Synchronized
Protocol	Modbus RTU
Baud Rate	Fixed : 9600
Parity	Fixed : Even
Device ID	Fixed : 1
Max. Distance	1200 Metres
PC Interface	
Serial Port	RS485, 2-wire, Half Duplex, Start-Stop Synchronized
Protocol	Modbus RTU
Baud Rate	Fixed : 9600
Parity	Fixed : Even
Device ID	Settable : 1 to 127 (Through PC Software using Broad-cast Message)
Max. Units per Loop	31
Max. Distance	1200 Metres
Power Supply	
Type	Switch Mode (SMPS)
Supply Voltage	85~264 VAC, 50/60 Hz, Single Phase
Consumption	1VA Max
Physical	
Mounting	DIN Rail
Overall Dimensions	70 (H) X 60 (W) X 110 (D)
Terminals	Screw Type
Weight	100 gm, Appx.
Environmental	
Operating Ambient	0~55°C & 5~90%RH Non-condensing
Storage Temperature	-10 to +70 °C
EMC Standards	EN50081-2 & EN 50082-2 Generic Stds for Industrial Environment
Safety Standards	Meets EN61010, Installation Catagory II
Atmospheres	Not Suitable for use in Corrosive or Explosive Atmospheres. The Panel in which the Instrument is Mounted must be free of Electrically Conductive Pollution.

Back Panel Terminations



PC Interface with 21 CFR Compliant Software

Supported Operating Systems (OS)	<ul style="list-style-type: none"> Windows Vista 32 bit / 64 bit Windows 8 Windows 7 32 bit / 64 bit Pentium Dual Core
Minimum PC Configuration Requirements	<ul style="list-style-type: none"> 2.8 GHz Clock Speed 40 GB Hard Disk 2 GB RAM
PC Software Features (USFDA 21 CFR Part 11 Compliant)	<ul style="list-style-type: none"> Auto Start-up on PC Power-up Online Display of Process Values & Stored Records in Graphical & Tabular Forms with Alarm Indications Automatic Periodic Downloading of Records Stored in Controller Access Control According to Authority Level User Actions with Signing & Authorization Automatic Password Expiry Manual & Auto Back-up Facility with Archiving Data Log Reports with User Configurable Title, Footer & Header Data Log Report, Alarm Log Report, History Graph & Audit Trail Report in PDF & EXCEL formats Audit Trail History of Critical Events & User Actions

