

CONFIGURATION PARAMETERS : PAGE- 11

Parameters	Settings (Default Value)
Calibration Offset OFSE	-19.99 to +25.00 (Default : 0.00)
Control Mode Ctrl	OnOff On-Off PID PID (Default : PID)
Overshoot Inhibit OSH	EnbL Enable dSbL Disable (Default : Enable)
Control Logic CLOG	rEu Reverse dir Direct (Default : Reverse)
Hysteresis HYS	0.10 to 25.00 (Default : 0.20)
Digital Filter for PV FILT	1.0 to 25.0 Seconds in steps of 0.5 Seconds (Default : 1.5)

SUPERVISORY PARAMETERS : PAGE- 12

Parameters	Settings (Default Value)
Baud Rate BAUD	1200, 2400, 4800, 9600 (Default : 4800)
Controller ID Number ID	1 to 8 (Default : 1)
Setpoint Locking SLOC	no No YES Yes (Default : No)
Self-tune on Setpoint Change ENSP	EnbL Enable dSbL Disable (Default : Disable)
Optimize Command OPT	no No YES Yes (Default : No)

PID CONTROL PARAMETERS : PAGE- 15

Parameters	Settings (Default Value)
Cycle Time CT	0.5 to 120.0 Seconds (in steps of 0.5 secs.) (Default : 20 sec for relay 1 sec for SSR)
Proportional Band Pb	0.01 to 99.99°C (Default : 10.00°C)
Integral Time IT	0 to 1000 Seconds (Default : 100 Sec)
Derivative Time DT	0 to 250 Seconds (Default : 25 Sec)

OP2 FUNCTION PARAMETERS : PAGE- 13

Parameters	Settings (Default Value)
Alarm Type TYPE	P_Lo Process Low P_Hi Process High dEu Deviation Band bAnd Window Band (Default : Process Low)
Alarm Setpoint ALSP	0.00 to 99.99 (Default : 0.00)
Deviation Band bAnd	-19.99 to +25.00 (Default : 0.00)
Window Band bAnd	3.30 to +25.00 (Default : 0.30)
Alarm Logic ALLO	dir Direct rEu Reverse (Default : Direct)
Alarm Inhibit ALIH	YES Yes no No (Default : Yes)

OP3 FUNCTION PARAMETERS : PAGE- 14

Parameters	Settings (Default Value)
Output-3 Function OP3F	nonE None ALrn Alarm HbrP Heater-break (Default : None)
Alarm Type EYPE	P_Lo Process Low P_Hi Process High dEu Deviation Band bAnd Window Band (Default : Process Low)
Alarm Setpoint ALSP	0.00 to 99.99 (Default : 0.00)
Deviation Band bAnd	-19.99 to +25.00 (Default : 0.00)
Window Band bAnd	3.30 to +25.00 (Default : 0.30)
Alarm Logic ALLO	dir Direct rEu Reverse (Default : Direct)
Alarm Inhibit ALIH	EnbL Enable dSbL Disable (Default : Enable)
Heater-break Output HbrP	ALrn Alarm tr, P Trip (Default : Alarm)

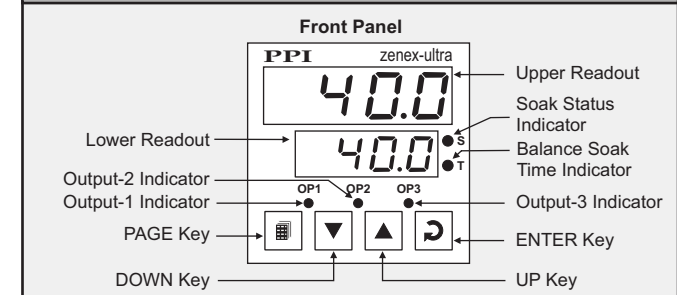
INSTALLATION PARAMETERS : PAGE- 10

Parameters	Settings (Default Value)
Output Type COP	Refer Table 1 (Default : SSR)

TABLE- 1

Option	What it means	Remarks
RLY	Electromechanical Relay contacts(common & Normally Open)	20 Sec
SSR	DC voltage pulses for driving external Solid State Relay (SSR)	1 Sec

FRONT PANEL LAYOUT



Keys Operation

Symbol	Key	Function
	PAGE	Press to enter or exit set-up mode.
	DOWN	Press to decrease the parameter value. Pressing once decreases the value by one count; keeping pressed speeds up the change.
	UP	Press to increase the parameter value. Pressing once increases the value by one count; keeping pressed speeds up the change.
	ENTER	Press to store the set parameter value and to scroll to the next parameter on the PAGE.

PV Error Indications

Message	PV Error Type
Or	Over-range (PV above Max. Range)
Ur	Under-range (PV below Min. Range)
OPEN	Open (Sensor open / broken)

PPI

101, Diamond Industrial Estate, Navghar, Vasai Road (E), Dist. Palghar - 401 210.

T: 0250 - 2391722/33/37/42

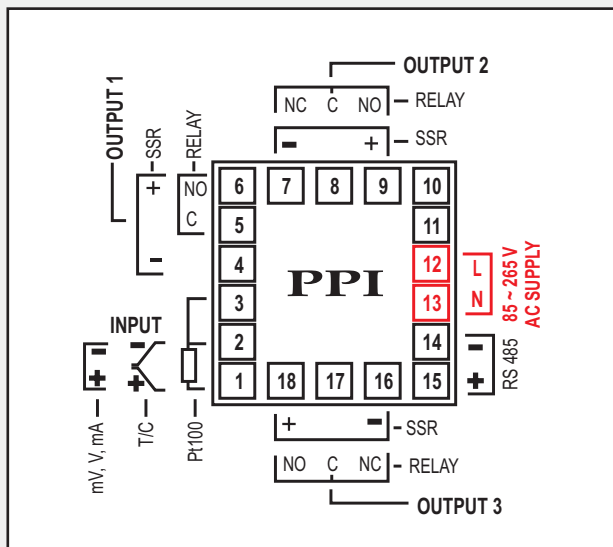
M: 07498799226

09321985369

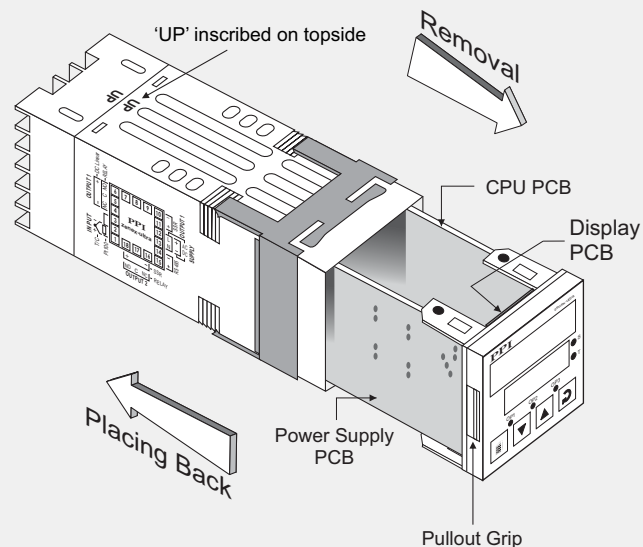
E: sales@ppiindia.net

support@ppiindia.net

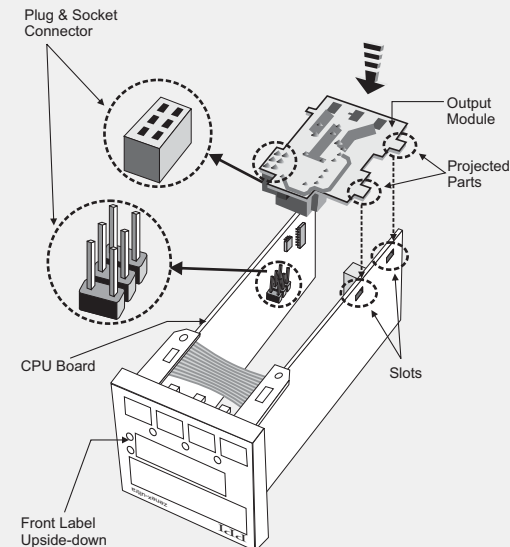
ELECTRICAL CONNECTIONS



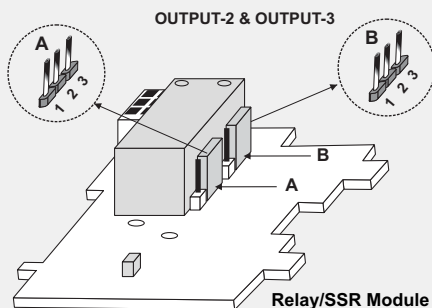
ENCLOSURE ASSEMBLY



MOUNTING DETAILS OUTPUT -2MODULE



JUMPER SETTINGS RELAY & SSR



Output Type	Jumper Setting - A	Jumper Setting - B
Relay		
SSR		

MOUNTING DETAILS SERIAL COMM. MODULE

