



Features

- 2 PID Controllers in Compact Enclosure
- J / K Thermocouple & RTD Pt100 Input Versions
- Independent Display for Each PID
- Independent Self Tune PID with Overshoot Inhibit Feature
- Optional Auxiliary Control for Each PID : Blower / Alarm
- Relay / SSR Control Outputs
- Optional Serial Communication Port
- DIN Standard Dimensions : 48(H) X 48(W) X 110(D), mm

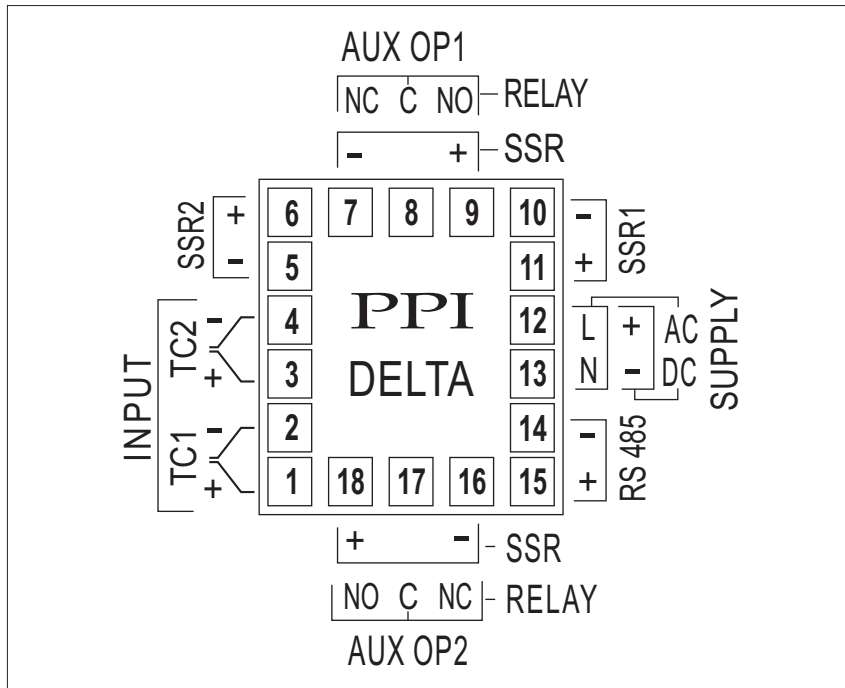
Specifications

Display		
Digital Readout	Upper Readout : 3 digits, 0.39" Bright Red LED, 7 Segment Lower Readout : 3 digits, 0.39" Bright Red LED, 7 Segment	
Status Indicators	8 LEDs (3mm Round)	
Keys		
Type	3 Tactile Switches	
Functions	DOWN, UP, ENTER	
Sensor Input		
Thermocouple Version	Type	J (0 to 760°C) K (0 to 999°C)
	Accuracy	±0.25% of reading ±1°C
	Correction	In-built Automatic Cold Junction Compensation
RTD Version	Type	Pt100 (-199 to 600°C)
	Accuracy	±0.25% of reading ±1°C
	Correction	In-built Lead Resistance Compensation
Display Resolution	1°C Fixed	
Zero Offset	User Adjustable over Full Range	
ADC	16 Bit (±32,768 Counts), Sigma-Delta (ΣΔ)	
Sampling Time	200mS (5 Samples per Second)	
Input Resistance	> 8 MOhm	
Common Mode Rejection	> 100dB at 50/60 Hz	
Signal Conditioning	L-C Analog Filter with Programmable Digital Low-Pass Filter	

Main Control	
Type	ON-OFF Or Self Tune PID
Mode	Heat Control
Control Parameters	<ul style="list-style-type: none"> • ON-OFF : Hysteresis • Self Tune PID : Proportional Band, Integral Time, Derivative Time, Cycle Time, Overshoot Inhibit
Auxiliary Output	
Auxiliary Function	Selectable : Alarm, Control, Blower
Control Parameters	Setpoint, Hysteresis, Control Logic
Alarm Parameters	Type : Process Low, Process High, Deviation, Window Logic : Normal, Reverse Inhibit : No, Yes
Outputs	
Relay	Contact Type : Potential-free Change-over Contacts Contact Rating : 5A Resistive @ 120/240 Vac Contact Life : > 5,00,000 Operations at Rated Voltage / Current
SSR Drive	> 4.2 VDC into 1KOhm Minimum
Serial Communication	
Port	RS485, 2-wire, Half Duplex, Start-Stop Synchronized
Protocol	Modbus RTU
Baud Rate	Settable : 1200, 2400, 4800, 9600
Max. Units per Loop	31
Max. Distance	1200 Metres
Power Supply	
Type	Switch Mode (SMPS)
Line Voltage	Standard : 85~264 VAC, 50/60Hz
Consumption	5VA Max
Physical	
Mounting	Plug-in with Panel Mounting Clamps
Overall Dimensions	48(H) X 48(W) X 110(D), mm
Panel Cutout	45(H) X 45(W), mm
Terminals	Screw Type
Weight	225 gm, Appx.
Environmental	
Operating Ambient	0~55°C & 5~90%RH Non-condensing
Storage Temperature	-10 to +70 °C
EMC Standards	EN50081-2 & EN 50082-2 Generic Stds for Industrial Environment
Safety Standards	Meets EN61010, Installation Catagory II

Back Panel Terminations

Thermocouple Inputs



RTD Inputs

