

CONFIGURATION PARAMETERS : PAGE- 11	
Parameters	Settings (Default Value)
Calibration Offset OFSE	-19.99 to +25.00 (Default : 0.00)
Control Mode Ctrl	PI d PID OnOff On-Off (Default : PID)
Overshoot Inhibit OSH <i>(Available for PID control only)</i>	EnbL Enable dSbL Disable (Default : Enable)
Control Logic CLOG <i>(Available for On-Off or Pulsed On-Off Control only)</i>	rEu Reverse d.r Direct (Default : Reverse)
Hysteresis HYSE <i>(Available for On-Off or Pulsed On-Off Control only)</i>	0.10 to 25.00 (Default : 0.20)
Digital Filter for PV FILT	1.0 to 25.0 Seconds in steps of 0.5 Seconds (Default : 1.5)

SUPERVISORY PARAMETERS : PAGE- 12	
Parameters	Settings (Default Value)
Setpoint Locking SLOC	no No YES Yes (Default : No)
Self-tune on Setpoint Change tnSP	EnbL Enable dSbL Disable (Default : Disable)
Optimize Command OPT	no No YES Yes (Default : No)
Controller ID Number Id	1 to 8 (Default : 1)
Baud Rate BAUD	12 1200 24 2400 48 4800 96 9600 (Default : 4800)
Communication Write Enable ConE	no No YES Yes (Default : No)

PID CONTROL PARAMETERS : PAGE- 15	
Parameters	Settings (Default Value)
Cycle Time CT	0.5 to 120.0 Seconds (in steps of 0.5 secs.) (Default : 20 sec for relay 1 sec for SSR)
Proportional Band Pb	0.01 to 99.99 °C (Default : 10.00 °C)
Integral Time IT	0 to 1000 Seconds (Default : 100 Sec)
Derivative Time dt	0 to 250 Seconds (Default : 25 Sec)

OP2 FUNCTION PARAMETERS : PAGE- 13	
Parameters	Settings (Default Value)
Output-2 Function Selection OP2F	nonE None ALrn Alarm bLOR Blower SoAK Soak (Default : None)

OP2 Function : Alarm	
Parameters	Settings (Default Value)
Alarm Type TYPE	P_Lo Process Low P_Hi Process High dEu Deviation Band bAnd Window Band (Default : Process Low)
Alarm Setpoint ALSP	Min. to Max. Range for the selected Input type (Default : 0)
Deviation Band bAnd	-1999 to 9999 or -199.9 to 999.9 (Default : 0)
Window Band bAnd	3 to 999 or 0.3 to 99.9 (Default : 3)
Alarm Logic ALLG	d.r Direct rEu Reverse (Default : Direct)
Alarm Inhibit AL.h	YES Yes no No (Default : Yes)

Parameters	Settings (Default Value)
OP2 Function : Blower/Compressor Control	
Offset Value BLSP	0 to 250 or 0.0 to 25.0 (Default : 0)
Hysteresis BLHY	1 to 250 or 0.1 to 25.0 (Default : 2 or 0.2)
Time Delay tdLY	00.00 to 10.00 Min. Sec (in steps of 5 Seconds) (Default : 00.00)
OP2 Function : Soak	
Soak Time SoAK	1 to 9999 min (Default : 30 min)
End-of-soak Output Status EOs	nonE None HOFF Heater Off ALOn Alarm On both Both (Default : None)

OP3 FUNCTION PARAMETERS : PAGE- 14	
Parameters	Settings (Default Value)
Output-3 Function OP3F	nonE None ALrn Alarm HbrP Heater-break (Default : None)
Alarm Type EYPE	P_Lo Process Low P_Hi Process High dEu Deviation Band bAnd Window Band (Default : Process Low)
Alarm Setpoint ALSP	0.00 to 99.99 (Default : 0.00)
Deviation Band bAnd	-19.99 to +25.00 (Default : 0.00)
Window Band bAnd	3,30 to +25.00 (Default : 0.30)
Alarm Logic ALLG	d.r Direct rEu Reverse (Default : Direct)
Alarm Inhibit AL.h	EnbL Enable dSbL Disable (Default : Enable)

Parameters	Settings (Default Value)
Heater-break Output HbrP (Not implemented. Ignore this parameter.)	ALrn Alarm trIP Trip (Default : Alarm)

OPERATOR PARAMETER : PAGE-0	
Parameters	Setting
Output Power OUTP	View Only Parameter

INSTALLATION PARAMETERS : PAGE- 10	
Parameters	Settings (Default Value)
Output Type C_OP	Refer Table 1 (Default : SSR)

TABLE- 1		
Option	What it means	Remarks
RLY	Electro-mechanical Relay contacts (common & Normally Open)	20 Sec
SSR	DC voltage pulses for driving external Solid State Relay (SSR)	1 Sec

FRONT PANEL LAYOUT

Front Panel

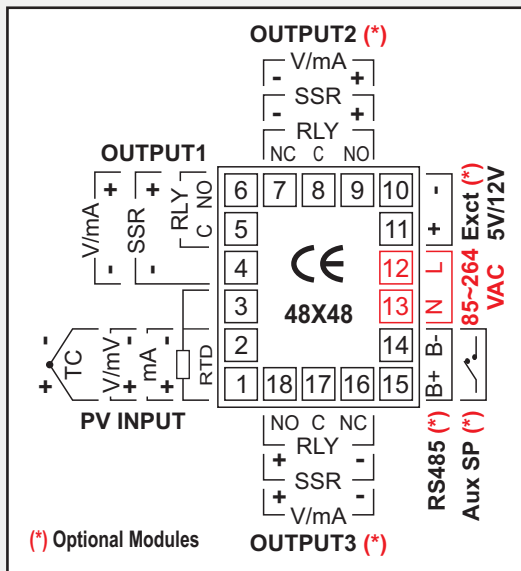
Upper Readout
Soak Status Indicator
Balance Soak Time Indicator
Output-2 Indicator
Output-1 Indicator
PAGE Key
DOWN Key

Lower Readout
Output-3 Indicator
ENTER Key
UP Key

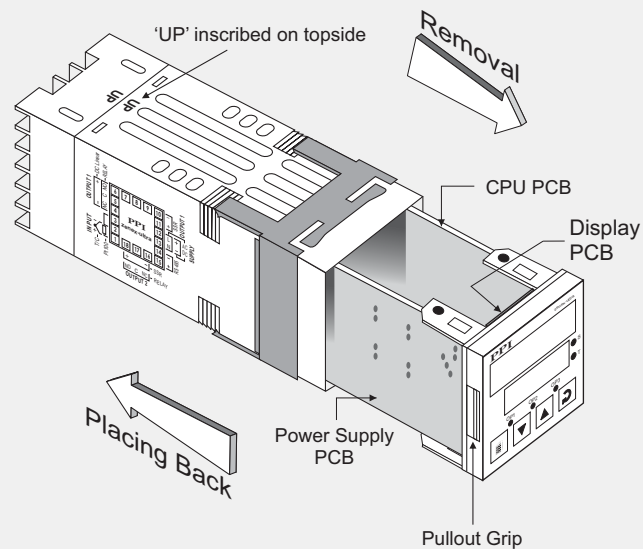
Symbol	Key	Function
	PAGE	Press to enter or exit set-up mode.
	DOWN	Press to decrease the parameter value. Pressing once decreases the value by one count; keeping pressed speeds up the change.
	UP	Press to increase the parameter value. Pressing once increases the value by one count; keeping pressed speeds up the change.
	ENTER	Press to store the set parameter value and to scroll to the next parameter on the PAGE.

PV Error Indications	
Message	PV Error Type
Or	Over-range (PV above Max. Range)
Ur	Under-range (PV below Min. Range)
OPEn	Open (Sensor open / broken)

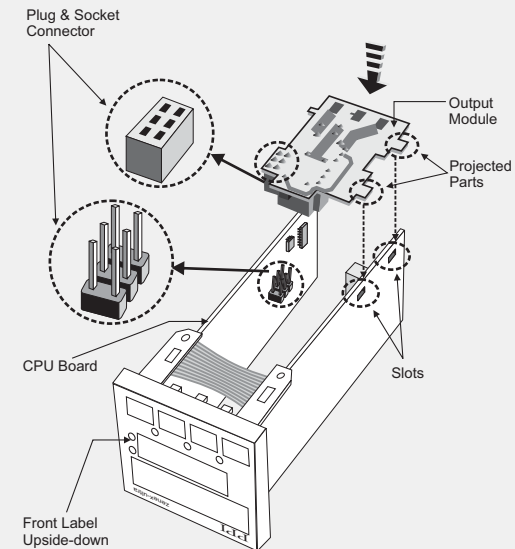
ELECTRICAL CONNECTIONS



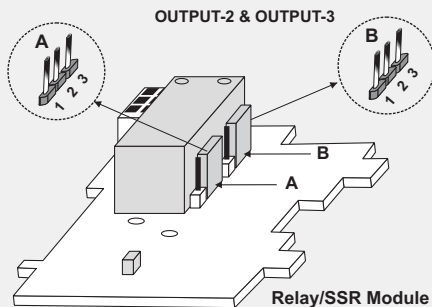
ENCLOSURE ASSEMBLY



MOUNTING DETAILS OUTPUT -2MODULE



JUMPER SETTINGS RELAY & SSR



Output Type	Jumper Setting - A	Jumper Setting - B
Relay		
SSR		

MOUNTING DETAILS SERIAL COMM. MODULE

